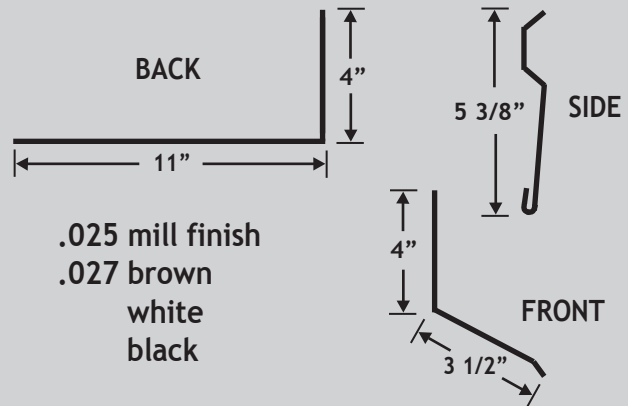


# RESIDENTIAL FLASHING

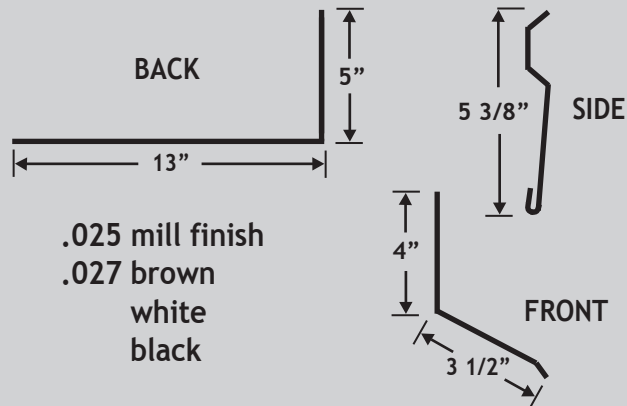
## 32" Chimney Flashing Kit



.025 mill finish  
.027 brown  
white  
black

FRONT - BACK - 4 SIDES  
12 STEPS  
4" X 4" X 8" Alum Std Color

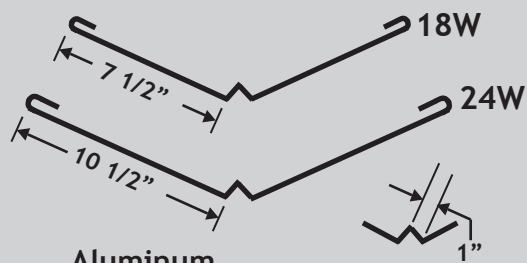
## 48" Chimney Flashing Kit



.025 mill finish  
.027 brown  
white  
black

FRONT - BACK - 4 SIDES  
20 STEPS  
4" X 4" X 8" Alum Std Color

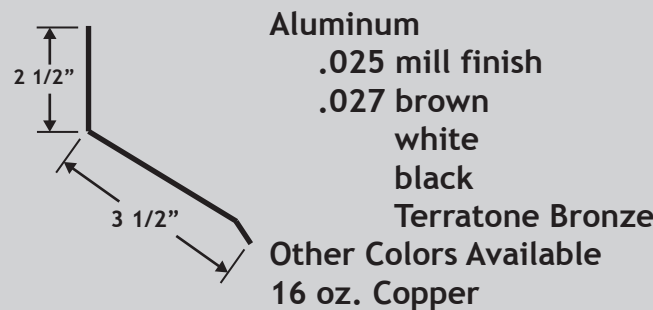
## Valley Flashing



Aluminum  
.025 mill finish  
.027 brown  
black  
Terratone Bronze

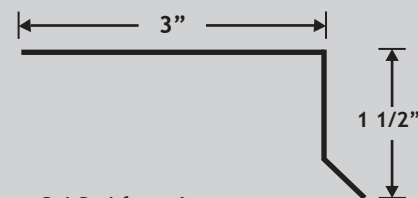
Other Colors Available  
16 oz. Copper  
Open hem edges

## Wall Flashing



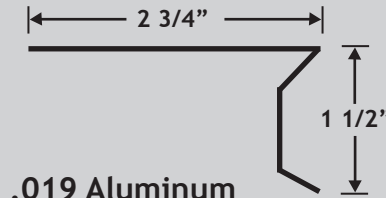
Aluminum  
.025 mill finish  
.027 brown  
white  
black  
Terratone Bronze  
Other Colors Available  
16 oz. Copper

## Rake Edge



.019 Aluminum  
brown - colonial gray  
white - royal brown  
black - cream  
Other Colors Available  
16 oz. Copper

## Overhang Drip Edge



.019 Aluminum  
brown - colonial gray  
white - royal brown  
black - cream  
Other Colors Available  
16 oz. Copper



111 Bolte Lane  
St. Clair, MO 63077  
Phone: 636-629-7017 Fax: 636-629-7014

FlashMaster manufactures a quality line of metal roof flashings for commercial and residential roofing applications. All of our products are designed to be user friendly. While offering a wide selection of standard flashings and materials, we also custom fabricate to meet your special needs.

FlashMaster is committed to providing quality products and excellent service at competitive prices.

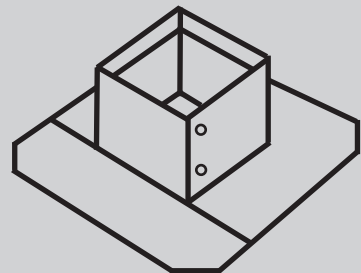
# COMMERCIAL FLASHING

## Pitch Pans

FlashMaster offers a complete line of quality pitch pans in a variety of popular sizes. One piece Standard (3 3/4" deep) pitch pans have one end that opens for easy wrap-around installation. The two piece Lo-profile (2 1/2" deep) pitch pan is ready to install.

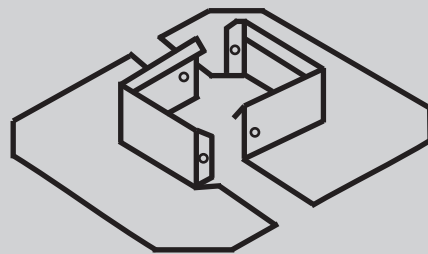
### STANDARD

26 ga Galvanized  
.032 mill finish Aluminum  
4", 6", 8", 10", 12" square  
one end opens for easy installation

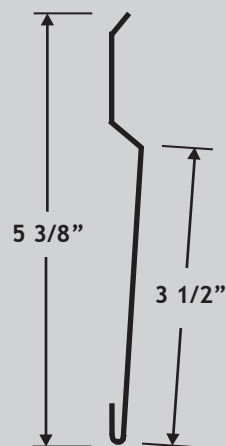


### LO-PROFILE

26 ga Galvanized  
4", 6", 8", 10", 12" square  
2 piece ready to install



## Surface Mounted Counterflashing



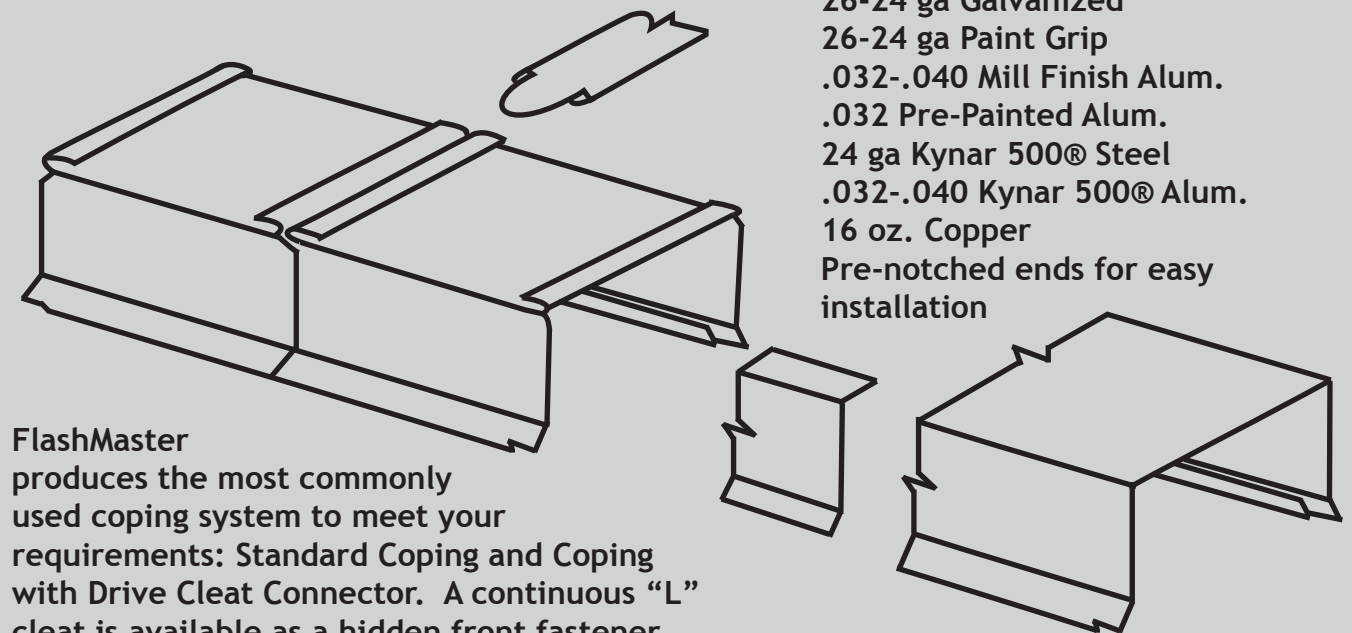
This flashing is ready to install in easy 8 ft. lengths. The pre-notched ends allow smooth alignment and proper end lap in either direction. It secures tightly against the wall, with built-in caulk tray for sealing. The smooth under hem is snug to the wall flashing. No clean up is necessary.

### Extension Flashing



FlashMaster products are designed and manufactured to minimize problems and facilitate installation. Our commercial pre-notched flashing is ready to install, thus saving manual notching at the job site and collection of scrap to prevent possible roof failure. Labor dollars are saved, and the end result is secure seams with a professional appearance.

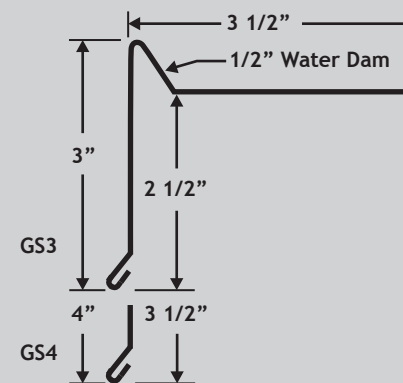
## Coping



26-24 ga Galvanized  
26-24 ga Paint Grip  
.032-.040 Mill Finish Alum.  
.032 Pre-Painted Alum.  
24 ga Kynar 500® Steel  
.032-.040 Kynar 500® Alum.  
16 oz. Copper  
Pre-notched ends for easy installation

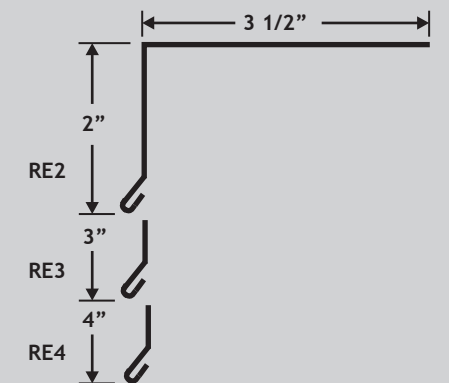
FlashMaster produces the most commonly used coping system to meet your requirements: Standard Coping and Coping with Drive Cleat Connector. A continuous "L" cleat is available as a hidden front fastener.

## Gravel Stop



26 ga Galvanized  
26 ga Paint Grip  
.032 Mill Finish Aluminum  
.032 Pre-Painted Aluminum  
24 ga Kynar 500® Steel  
.032 Kynar 500® Aluminum  
16 oz. Copper  
Pre-notched ends for easy installation

## Roof Edging



**CORRELATION COEFFICIENT:** a numerical measure of the degree of correlation between two variables, in this case, expansion and contraction, of:

- 1) Building Wall
- 2) Bar Joist and Decking
- 3) Wood Nailer
- 4) Roofing Materials
- 5) Metal Flashing (8ft. material versus 10ft. material)

When the correlation coefficient of these five components is analyzed, you will find that the ratios of 8ft. material (versus 10ft. material) will be closer to the expansion and contraction rate of the four other major components of a building system. Therefore, failure of a flashing seam occurs less often with 8ft. material than with 10ft. material.

Source: Architectural Sheet Metal Manual, 1993 Edition