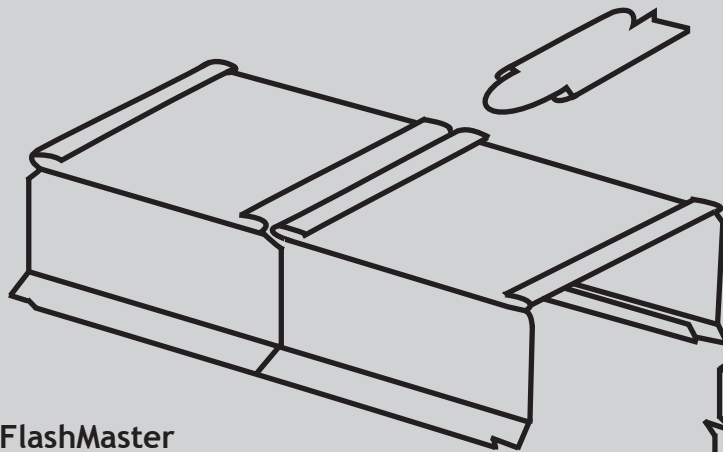
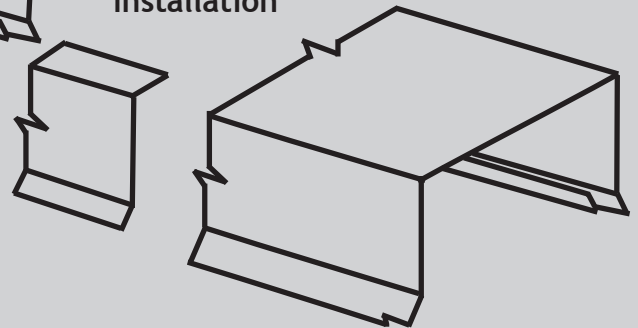


## Coping

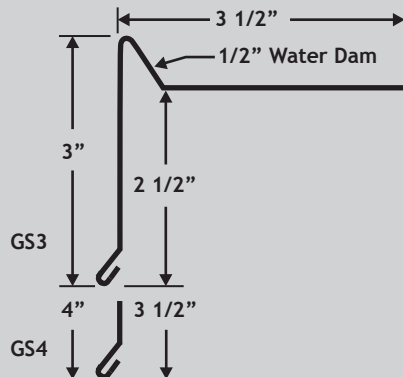


26-24 ga Galvanized  
 26-24 ga Paint Grip  
 .032-.040 Mill Finish Alum.  
 .032 Pre-Painted Alum.  
 24 ga Kynar 500® Steel  
 .032-.040 Kynar 500® Alum.  
 16 oz. Copper  
 Pre-notched ends for easy installation

FlashMaster produces the most commonly used coping system to meet your requirements: Standard Coping and Coping with Drive Cleat Connector. A continuous "L" cleat is available as a hidden front fastener.

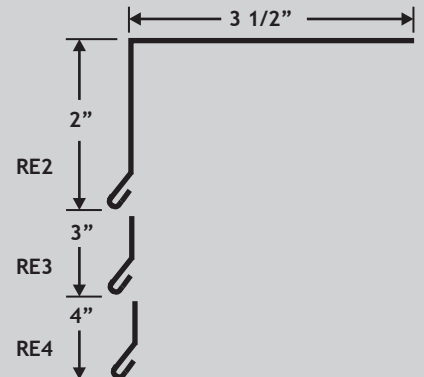


## Gravel Stop



26 ga Galvanized  
 26 ga Paint Grip  
 .032 Mill Finish Aluminum  
 .032 Pre-Painted Aluminum  
 24 ga Kynar 500® Steel  
 .032 Kynar 500® Aluminum  
 16 oz. Copper  
 Pre-notched ends for easy installation

## Roof Edging



**CORRELATION COEFFICIENT:** a numerical measure of the degree of correlation between two variables, in this case, expansion and contraction, of:

- 1) Building Wall
- 2) Bar Joist and Decking
- 3) Wood Nailer
- 4) Roofing Materials
- 5) Metal Flashing (8ft. material versus 10ft. material)

When the correlation coefficient of these five components is analyzed, you will find that the ratios of 8ft. material (versus 10ft. material) will be closer to the expansion and contraction rate of the four other major components of a building system. Therefore, failure of a flashing seam occurs less often with 8ft. material than with 10ft. material.

Source: Architectural Sheet Metal Manual, 1993 Edition